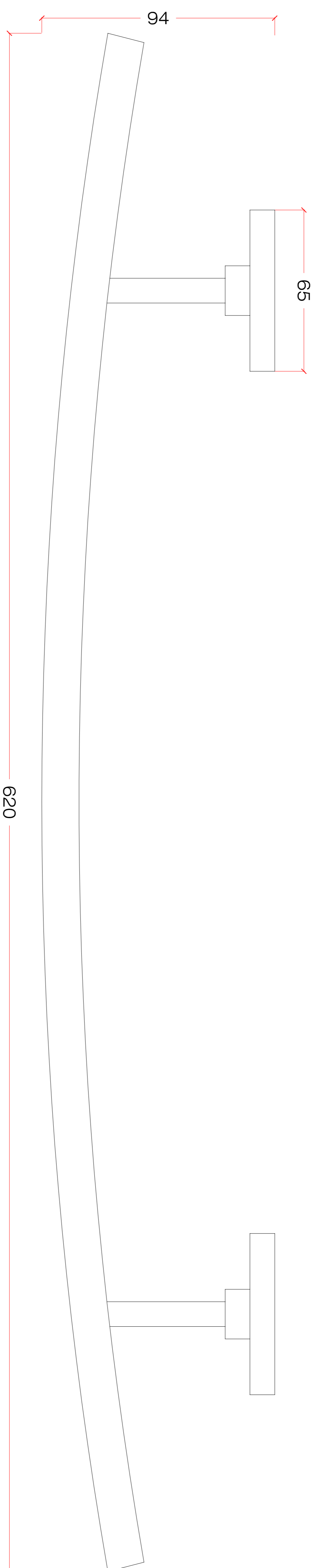
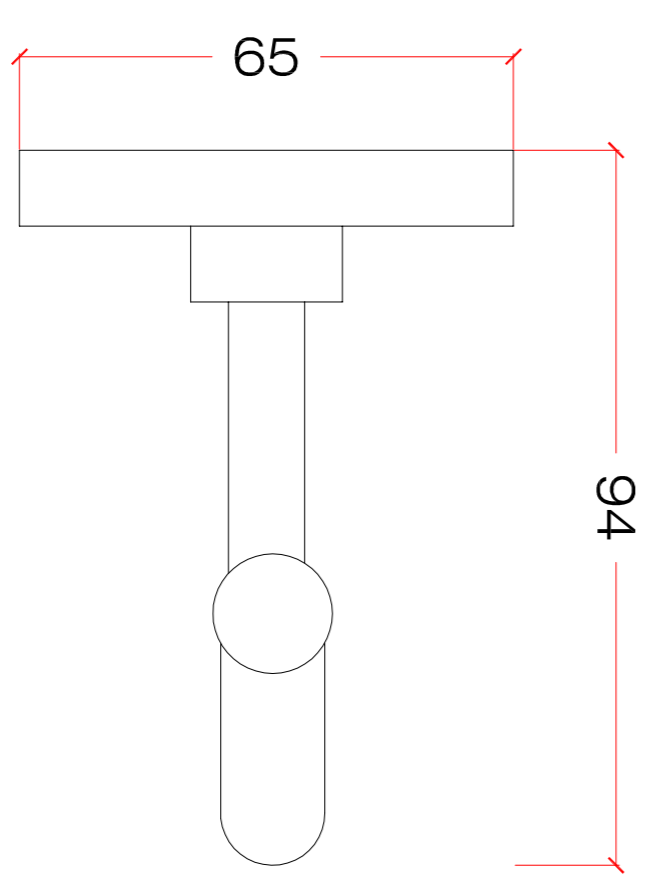


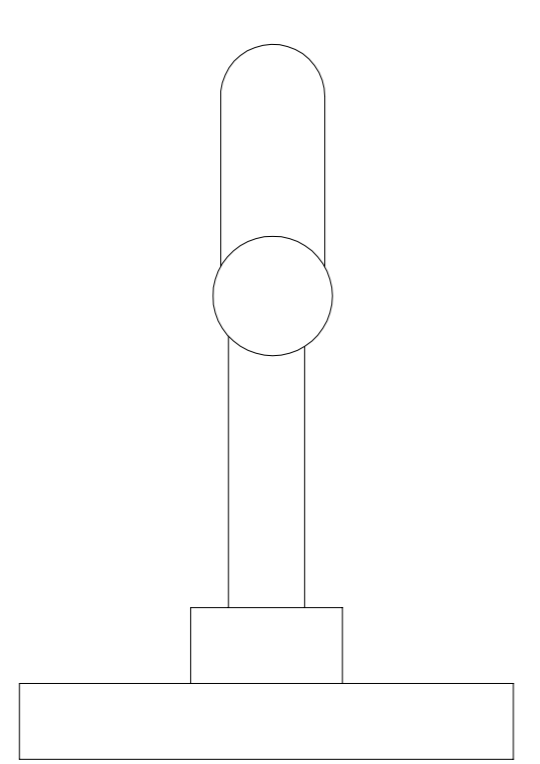
FRONT ELEVATION



PLAN



SIDE ELEVATION



SIDE ELEVATION